

**B. L. D. E. ASSOCIATION'S
S. B. ARTS AND K. C. P. SCIENCE COLLEGE,
VIJAYAPUR**



DEPARTMENT OF PHYSICS & ELECTRONICS

LAB MANUALS

S. B. ARTS AND K.C.P SCIENCE COLLEGE VIJAYAPUR,

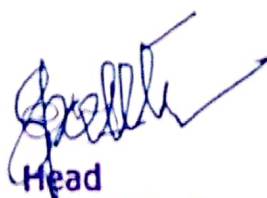
Department of Physics & Electronics

About The Lab Manuals

Our department staff members designed & prepared systematically the lab manuals for all the even and odd semester physics students .

All the manuals contain the required number of experimental details according to Rani Channamma University ,(Belagavi) syllabus. Each Experiment contains details like aim, apparatus,required figures,tabular columns,necessary formulae,graphical representation of result and procedure etc.


Such type of manuals are handy and students can easily understand all the details required for the experiment and they perform in lab efficiently.



Head
Department of Physics
S.B.Arts & K.C.P.Science College
Vijayapur-586103.



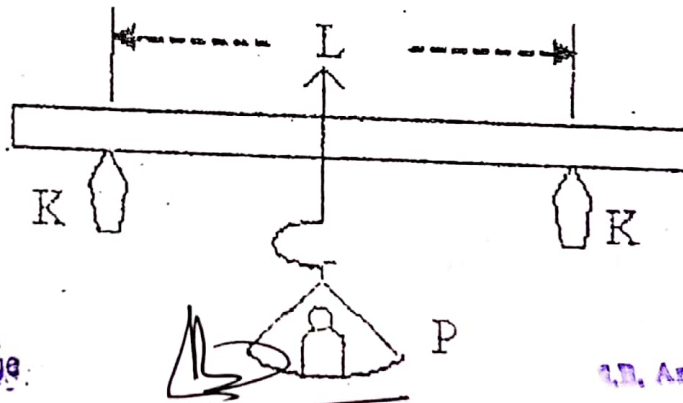
Principal,
S.B. Arts & K.C.P. Se. College
Bijapur.



IQAC, Co-ordinator
S.B.Arts & K.C.P.Science College,
Vijayapur.

Physics LABORATORY MANUAL

B.Sc. I Semester
Rani Channamma University, Belagavi.



[Signature]
Head,
Department of Physics,
S.B. Arts & K.C.P. Science College,
S.B. Arts & K.C.P. Science College,
Vijayapur-586103.

[Signature]
IQAC, Co-ordinator
S.B. Arts & K.C.P. Science College,
Vijayapur.

[Signature]
Principal,
S.B. Arts & K.C.P. Sc. College
Bijapur.

Name : _____

Class : _____ Roll No. _____

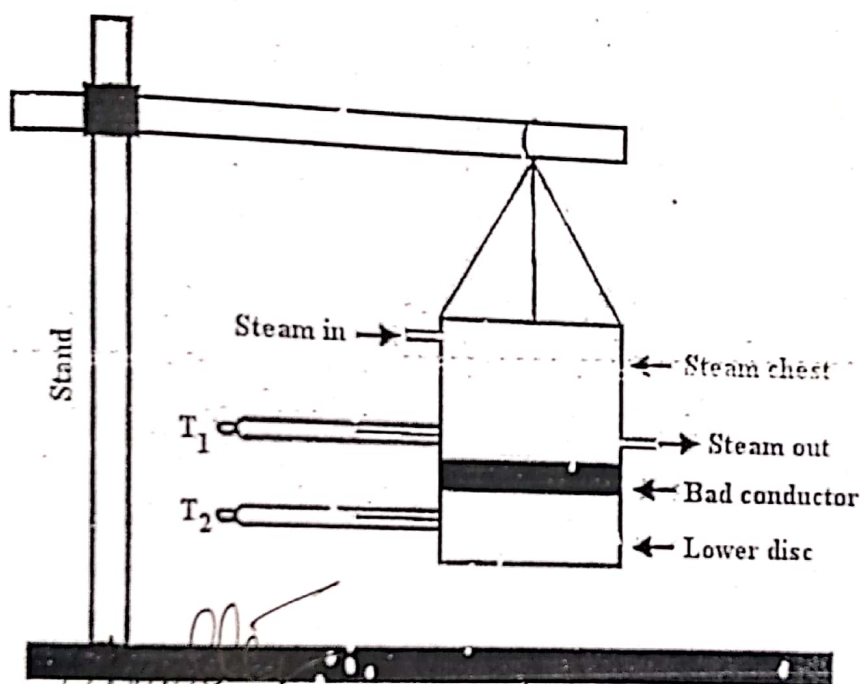
Prepared by
Department of Physics
SB Arts & KCP Science College,
Bijapur

Head of Physics Department,
S. B. Arts and K. C. P. Sc. College
BIJAPUR.

PHYSICS LABORATORY MANUAL

B.Sc II Semester

Rani Channamma University, Belagavi



Head
Department of Physics
S.B.Arts & K.C.P.Science College
Vijayapur-586103.

IQAC, Co-ordinator
S.B.Arts & K.C.P.Science College,
Vijayapur.

Principal,
S.B. Arts & K.C.P. Sc. College
Bijapur.

Roll number:

Prepared by

Department of Physics

S.B. Arts and K.C.P. Science College, Bijapur

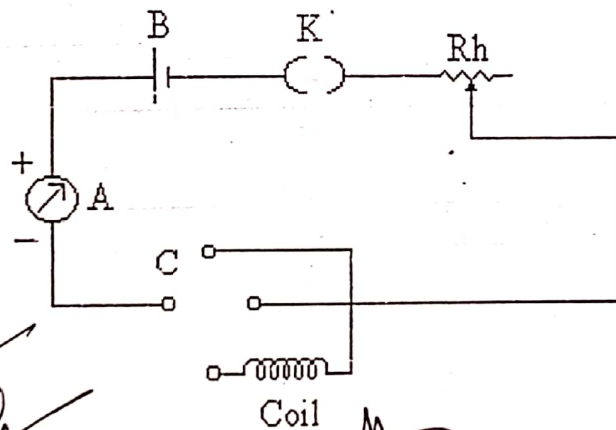
Head of Physics Department,
S. B. Arts and K. C. P. Sc. College,
BIJAPUR,

PHYSICS

LABORATORY MANUAL

B.Sc III Semester

Rani Channamma University, Belagavi



[Signature]
Head
Department of Physics
S.B.Arts & K.C.P.Science College
Vijayapur-586103.

[Signature]
IQAC, Co-ordinator
S.B.Arts & K.C.P.Science College,
Vijayapur.

[Signature]
Principal,
S.B. Arts & K.C.P. Sc. College
Bijapur.

Name:

Roll number:

Prepared by

Department of Physics

Head of Physics Department,
S. B. Arts and K. C. P. Sc. College,
BIJAPUR.

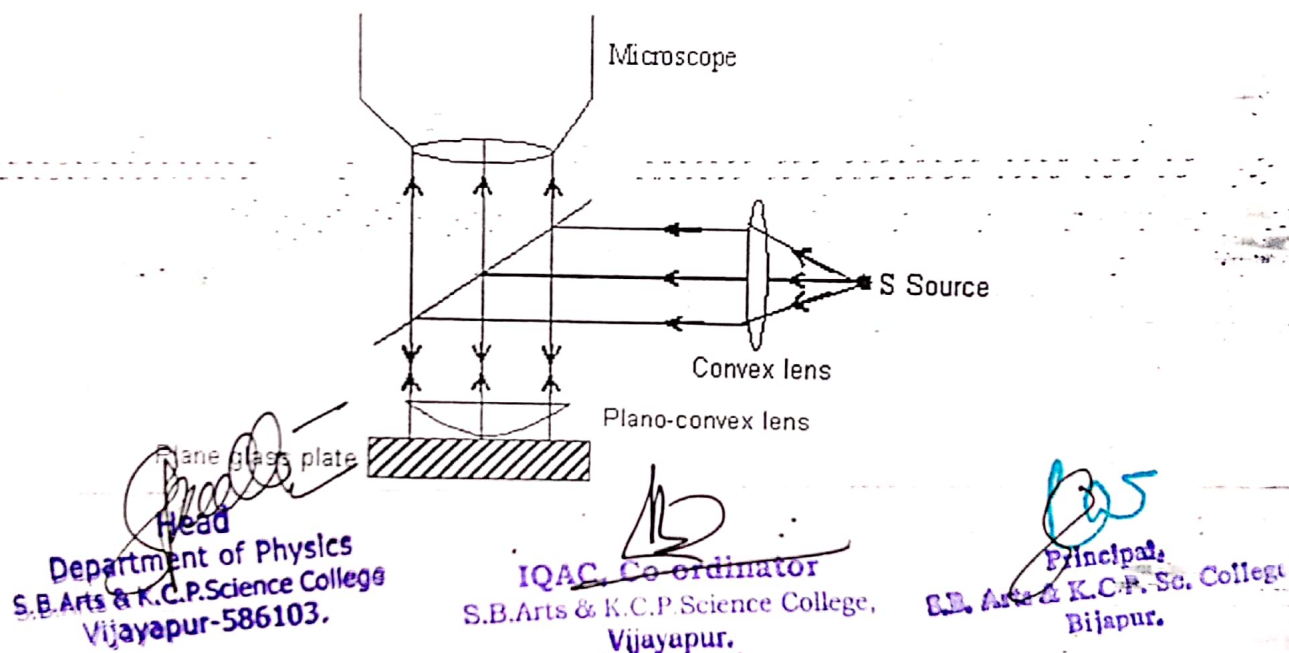
S.B. Arts and K.C.P. Science College, Bijapur

PHYSICS

LABORATORY MANUAL

B.Sc IV Semester

Rani Channamma University, Belagavi



Name:

Roll number:

Head of Physics Department.
S. B. Arts and K. C. P. Sc. College
BIJAPUR.

Prepared by:

Department of Physics

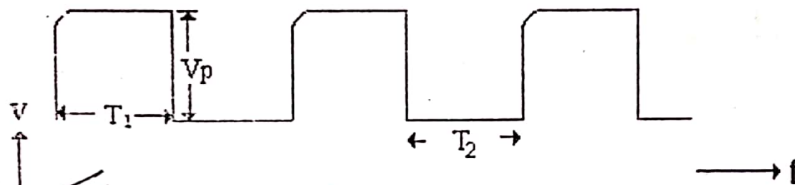
S.B. Arts and K.C.P. Science College, Bijapur

PHYSICS

LABORATORY MANUAL

B.Sc V Semester

Rani Channamma University, Belagavi



[Signature]
Head
Department of Physics
S.B.Arts & K.C.P.Science College
Vijayapur-586103.

[Signature]
IQAC, Co-ordinator
S.B.Arts & K.C.P.Science College,
Vijayapur.

[Signature]
Principal,
S.B. Arts & K.C.P. Sc. College
Bijapur.

Name:

Roll number:

RCUE Seat No:

Prepared by:

Department of Physics

S.B. Arts and K.C.P. Science College, Bijapur

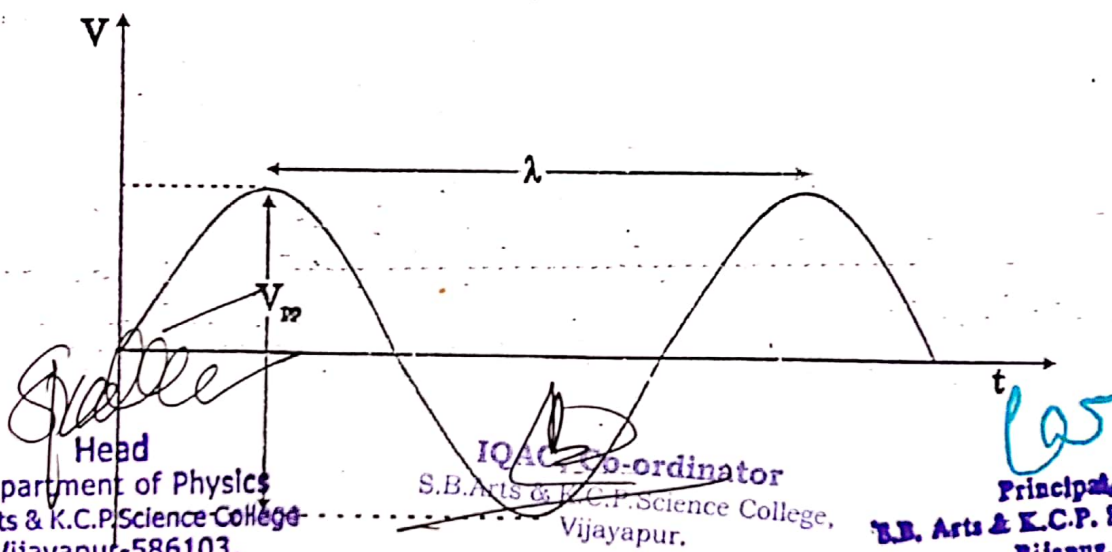
Head of Physics Department
S. B. Arts and K. C. P. Sc. College,
BIJAPUR.

PHYSICS

LABORATORY MANUAL

B.Sc VI Semester

Rani Channamma University Belagavi



Name : _____

Class : _____ Roll No. _____

University Seat No. _____

Prepared by
Department of Physics
SB Arts & KCP Science College,
Bijapur